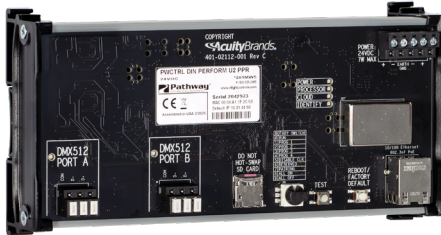


PERFORM CONTROLLER DMX512 AND sACN CONTROLLER



Models shown: PWCTRL DIN PERFORM

WARRANTY

5-year limited warranty. This is the only warranty provided and no other statements in this specification sheet create any warranty of any kind. All other express and implied warranties are disclaimed. Complete warranty terms located at: www.acuitybrands.com/support/warranty/terms-and-conditions

NOTE

Actual performance may differ as a result of end-user environment and application. Specifications subject to change without notice.



Perform Controllers support SixEye cloud-based remote management

OVERVIEW

The Perform™ Controller by Pathway delivers stunning effects, beautiful color and movement to your architectural spaces, whether indoor or outdoor.

With no programming expertise needed the Pathscape software allows users to create spectacular architectural scenes using predefined dynamic looks or user crafted timelines. With the ability to control up to 4 universes (2048 channels) of DMX, the Perform Controller has the channel count and the flexibility to bring the aesthetics of color changes, tunable white, and dynamic sequences to your project.

FEATURES

- Create static and dynamic Looks with ease as well as user defined timelines and shows with the free Pathscape software
- Operate a variety of White, RGB, RGBW, RGBx, Tunable White, HSI, Int/CCT and many more DMX lighting fixtures and devices
- Built-in logic engine to automate lighting rhythms, holiday Looks and scheduling of Conditions based on astronomical or time-clock events
- Cloud management through SixEye
- Compatible with the 5" or 8" Perform™ Touchscreen by Pathway Connectivity
- Equipped with two DMX512/RDM ports. Utilize the free Pathscape Software to address fixtures
- Supports up to 2048 channels of control utilizing DMX Ports, sACN, ssACN, Art-Net, and KiNET
- Out-of-Box test button for contractor to verify DMX
- 10 position rotary encoder to perform startup programs, test patterns and to disable the clock schedule.

ORDERING INFORMATION

PWCTRL			EXAMPLE: PWCTRL DIN PERFORM U1		
Series	Mounting	Platform	Universe Count		
PWCTRL Controller	DIN DIN-Mount (8.00")	PERFORM	U1	512 DMX Channels	
			U2	1024 DMX Channels	
			U4	2048 DMX Channels	External DMX Gateway needed for more than 1024 DMX Channel control.

Notes

1. For additional panel assembly options refer to the [PWSA Pathway System Assemblies](#) spec sheet or the [Pathway System Assembly Tool](#).

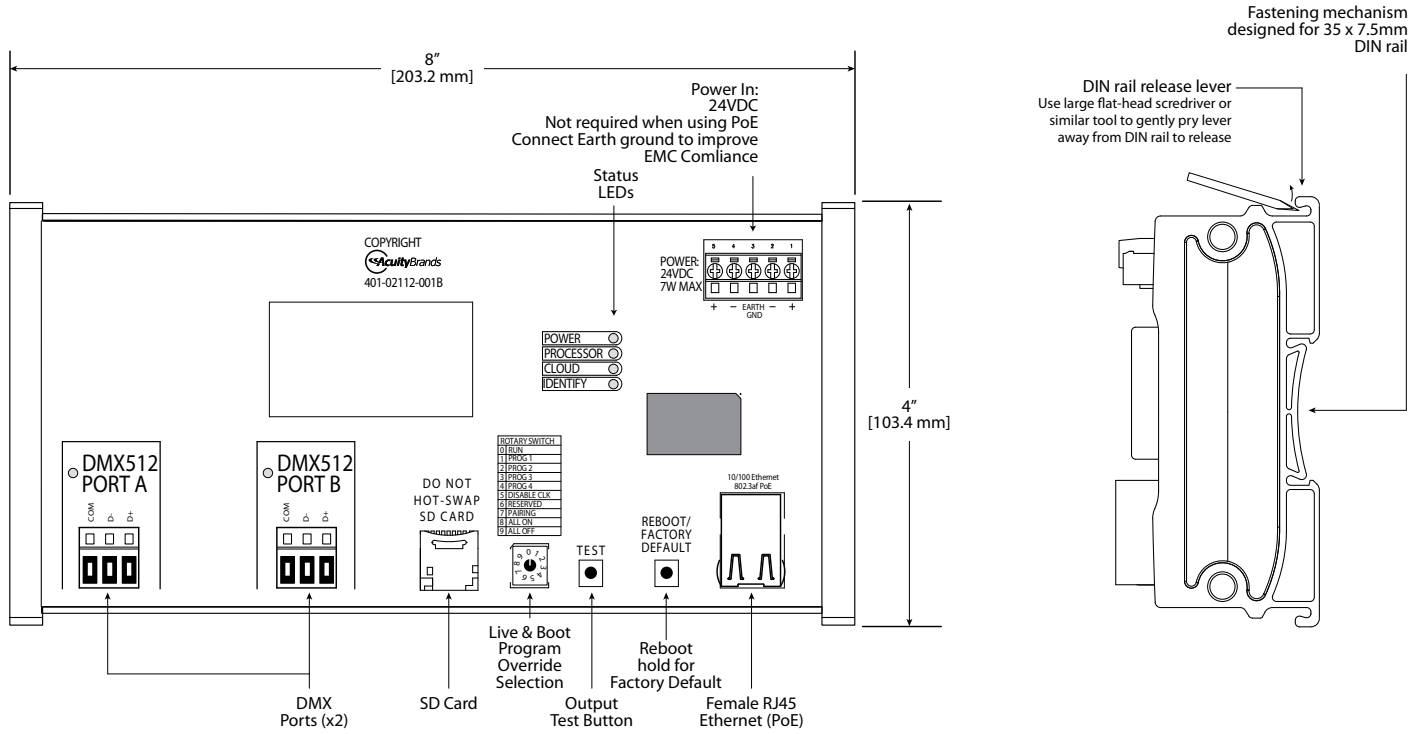
ACCESSORIES	
Series	Description
PWCON SPARE IDC3 Q4	Connector, Spare, 3-Pin Insulation Displacement Contact Connector (Qty 4)
PWCON SPARE CSC3 Q4	Connector, Spare, 3-Pin Compression Screw Connector (Qty 4)
PWCON SPARE CSC5 Q4	Connectors, Spare, 5-Pin Compression Screw Connector, Quantity (4)

SPECIFICATIONS

Electrical	Input Ratings	PWCTRL DIN PERFORM PoE Class 3 Device 24VDC power input (not used if using PoE) 7W maximum power consumption CR2032 battery (included) for RTC backup
Mechanical	Dimensions	PWCTRL DIN PERFORM 8.00" W x 4"H x 1.85"D (200mm W x 103mm H x 47mm D)
	Mounting Interface	35mm x 7.5mm DIN rail
	Weight	PWCTRL DIN PERFORM 0.47 lbs (0.21 kg)
	Connection Type	IDC or Compression Screw Connectors for DMX512 Ports (2) Ethernet Port - 10/100 Mbps Ethernet network port (PoE) (1)
Environmental	Warrantied Operating Temperature	32°F to 122°F (0°C to 50°C)
	Relative Humidity	10-95%, non-condensing
	Standards/ Ratings	RoHS 2011/65/EU + A1 2015/863
Compliance	Regulatory	FCC CE ANSI E1.11 DMX512-A R2013 ANSI E1.20 RDM - Remote Device Management ANSI E1.31 sACN-Streaming ACN IEEE 802.3af Power-over-Ethernet
General	Standards/ Ratings	System Component to aid in compliance with Title 24, ASHRAE 90.1, IECC FAR Section 889(a)(1)(A) and Section(a)(1)(B).
Government Procurement	BAA	Buy America(n) Act: Product qualifies as a domestic end product under the Buy American Act as implemented in the FAR and DFARS. Product also qualifies as manufactured in the United States under DOT Buy America regulations.
	BABA	Build America Buy America: Product qualifies as produced in the United States under the definitions of the Build America, Buy America Act. Please refer to www.acuitybrands.com/buy-american for additional information.

DIMENSIONS

PWCTRL DIN PERFORM



DMX512 / RDM PINOUT

Purpose	XLR / Terminal Block Pin #	RJ45 PIN # and Wire Color
Data Common	1	7 - White / Brown
Data - (complement)	2	2 - Orange
Data + (true)	3	1 - White / Orange

PERFORM TYPICAL

